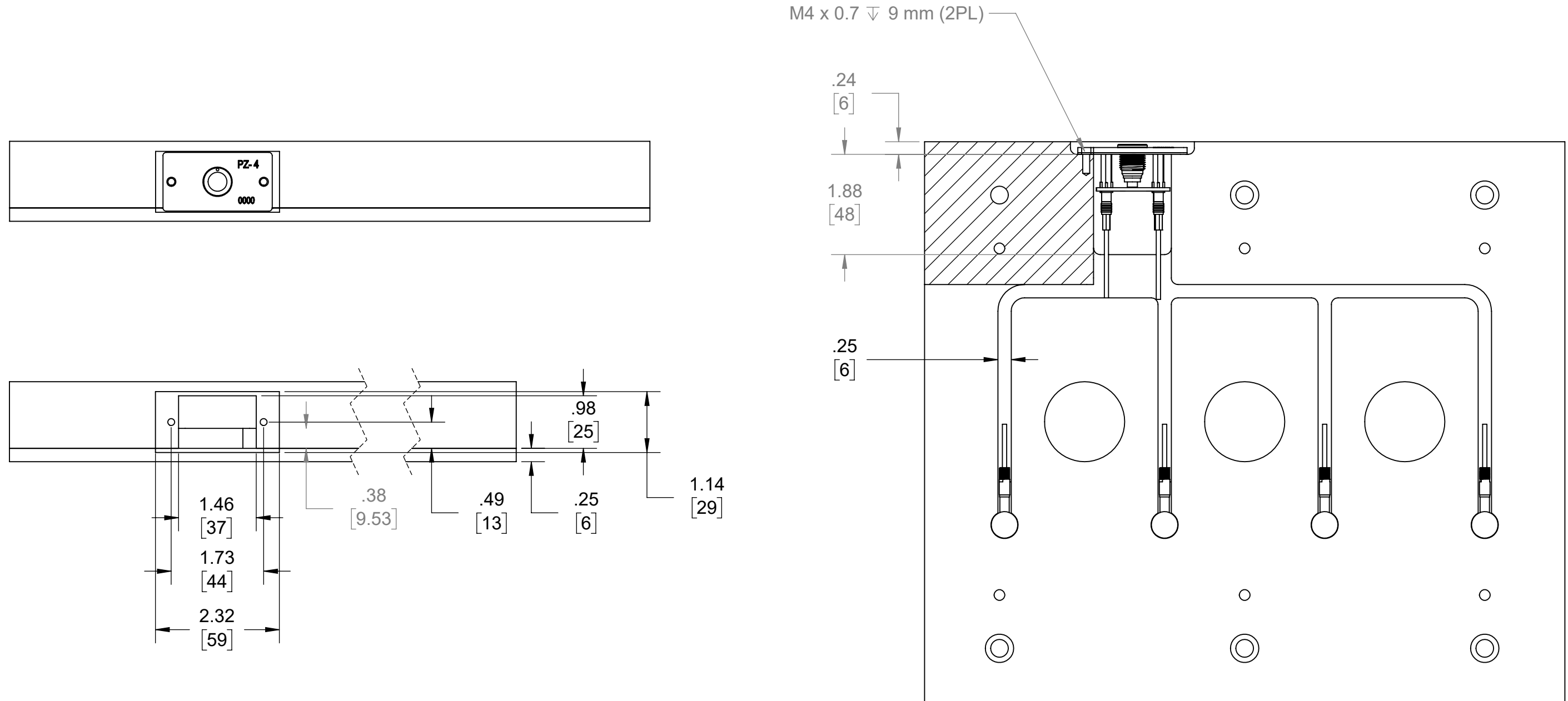



Four-Channel Piezoelectric Sensor Connector PZ-4 Installation



- NOTES:
- DO NOT SCALE PRINT
 - BREAK ALL SHARP EDGES, 0.005 [0.03] R MAX
 - DIMENSIONS IN INCHES [MM], UNLESS NOTED
 - TOLERANCES UNLESS SPECIFIED:
 XXX = ±0.003 [0.08]
 XX = ±0.01 [0.3]
 ANGLES = ±3° 30°

 <p>311 Park Street, Traverso City, NJ 08086 201-244-2111 www.rjg.com</p>	Description: PZ-4 Installation
	Drawn: K.J.Brettschneider
	Design:
	Check: M.Groleau
	Date: 12.15.2022